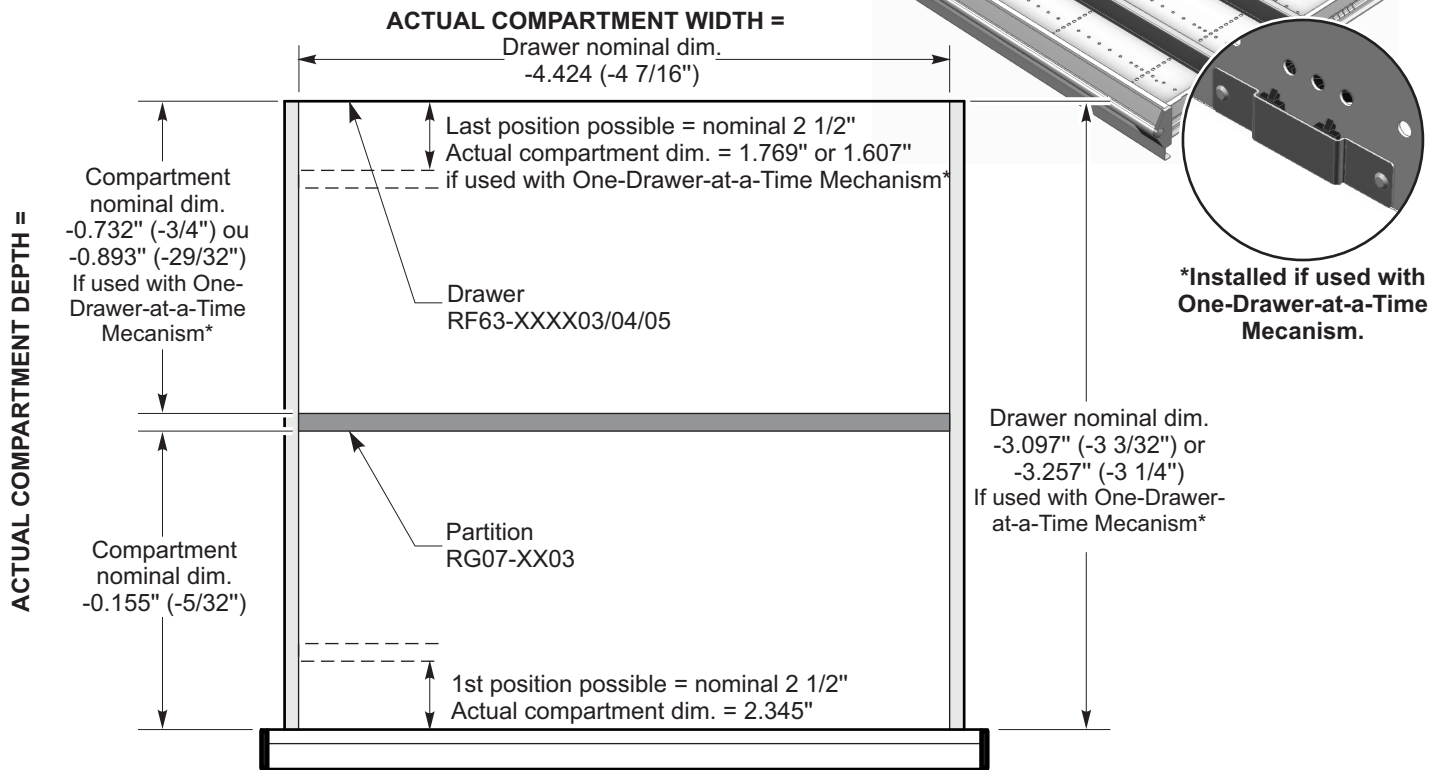
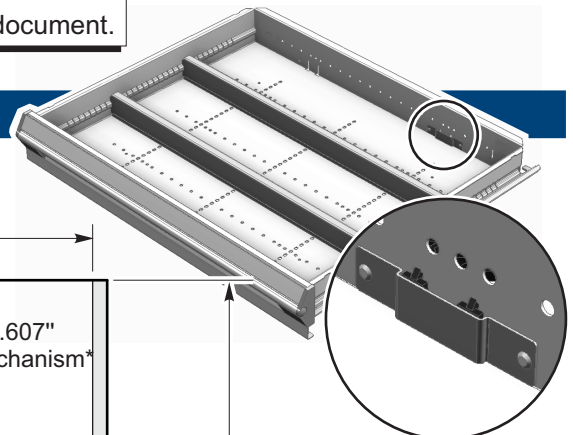
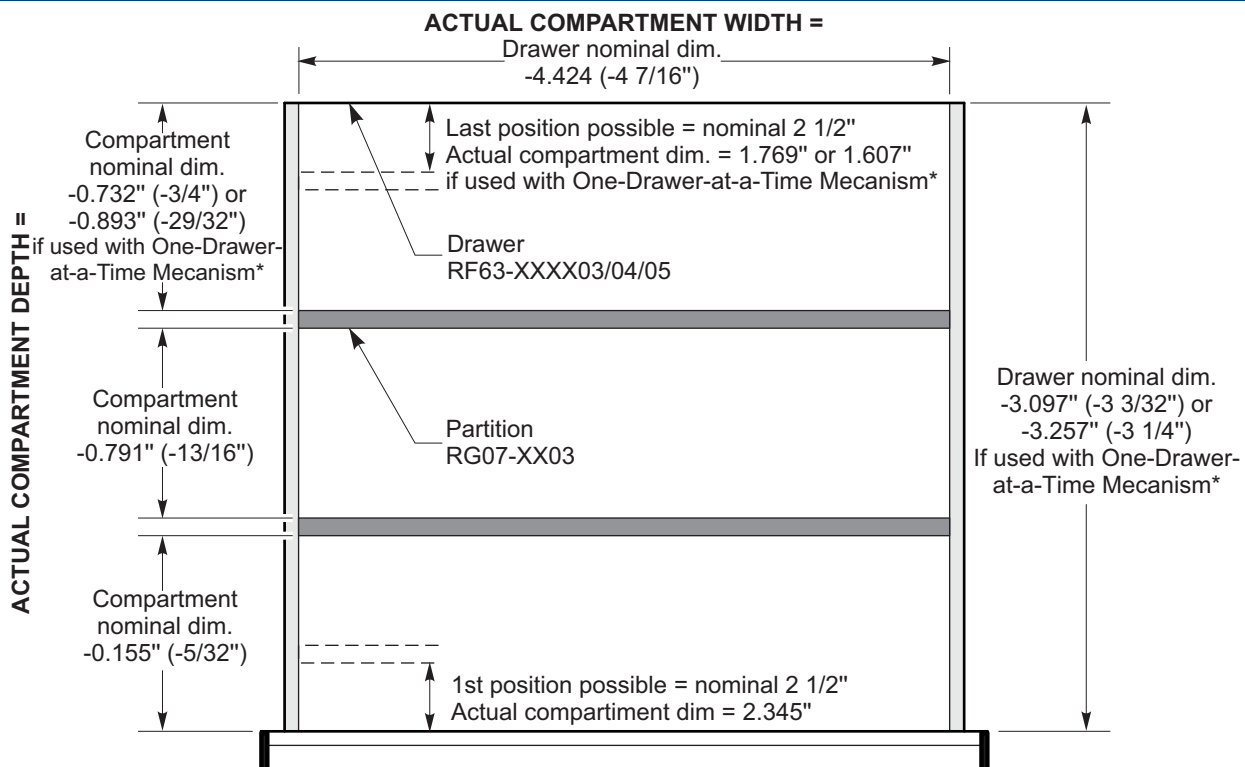


Make sure that you have the latest version before using this document.

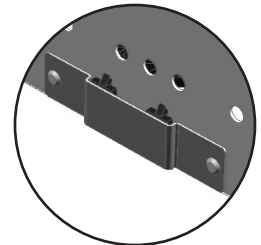
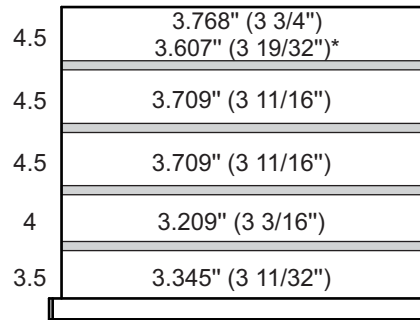
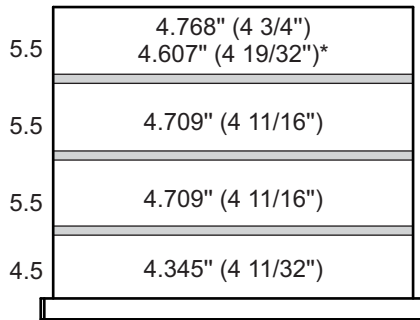
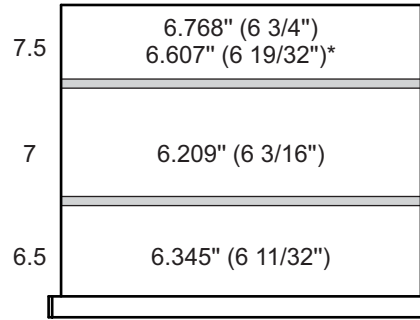
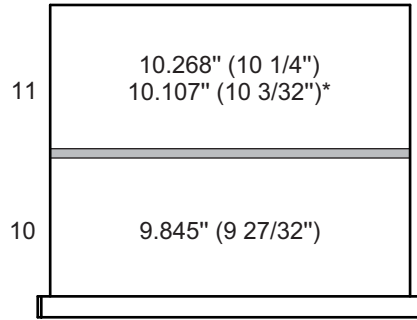
Actual compartment dimensions (2 compartments deep)



Actual compartment dimensions (3 compartments deep and over)

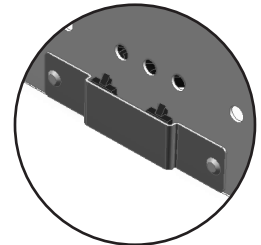
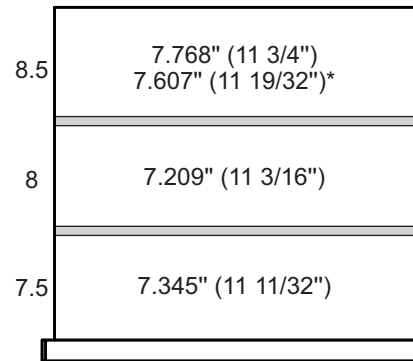
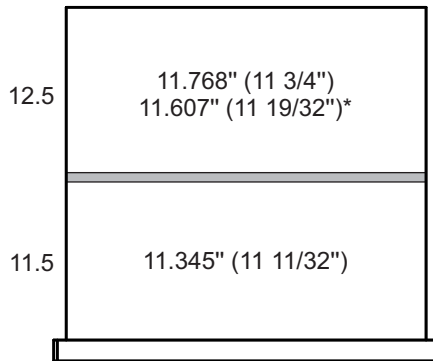


24"D drawer, compartment examples



*Installed if used with One-Drawer-at-a-Time Mechanism.

27"D drawer, compartment examples



*Installed if used with One-Drawer-at-a-Time Mechanism.

