

Please ensure you have the latest version before using this technical document.

Bending tool trays from the NC range are divided into three categories to ensure compatibility with as many tool types as possible.

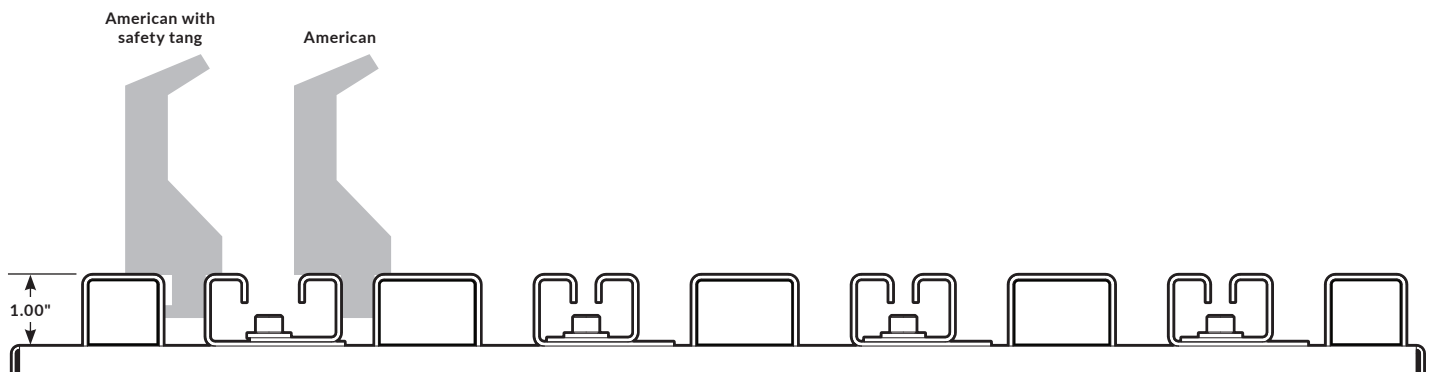
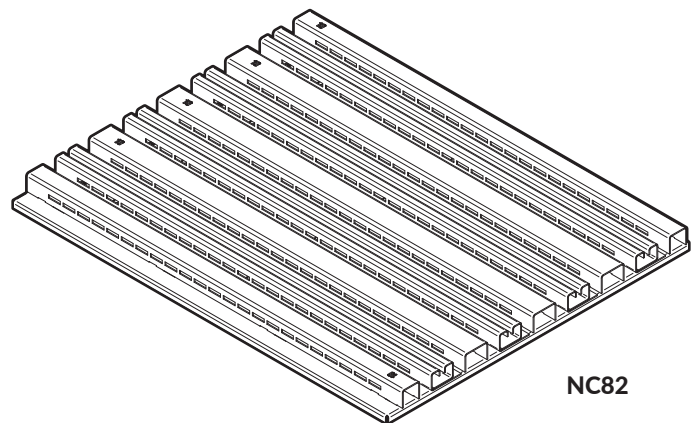
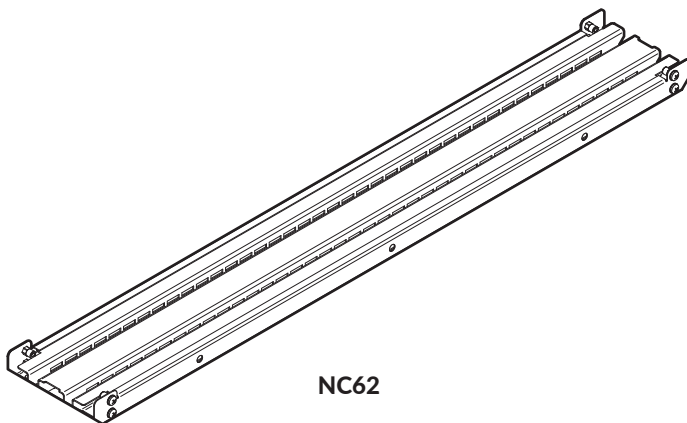
"10" Adjustable Trays

NC82-XXXX10 / NC72-XX1510 / NC62-070XX10

These trays are adjustable across their width (0.500" - 0.787") and are 1.00" deep (hence the name "10"). Adjustable trays NC82, NC72 and NC62 can be used to store punches and dies in an upright position. They are suitable for bending tools that follow these standards:

- American (precision/standard)
- American with buttons
- American with safety tang
- Others

NC82 trays are for upright tools in R drawers, NC62 trays are for upright tools in VTZ housings, and NC72 are for upright tools in change carts.



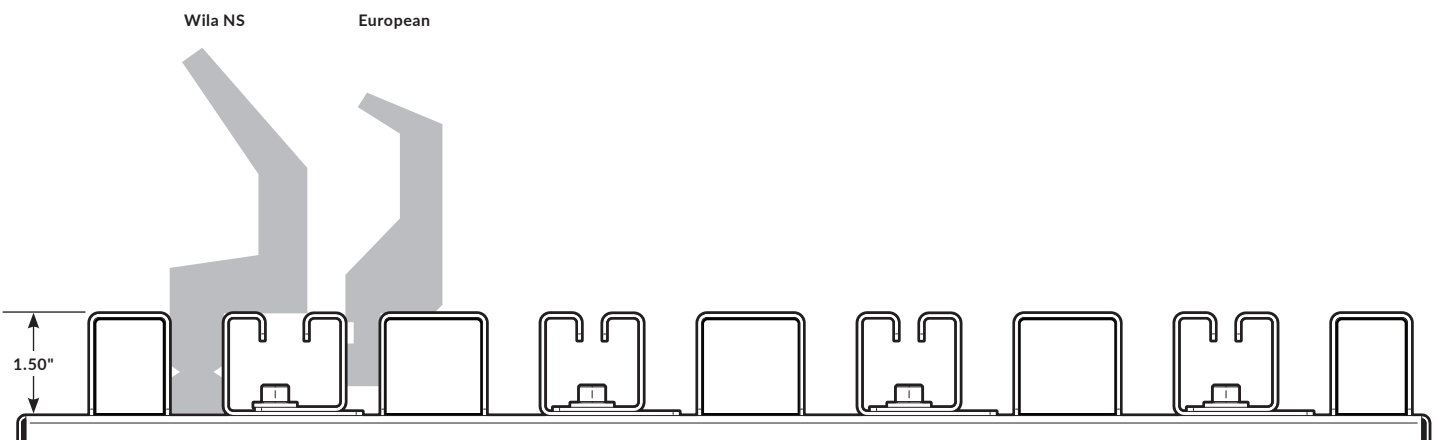
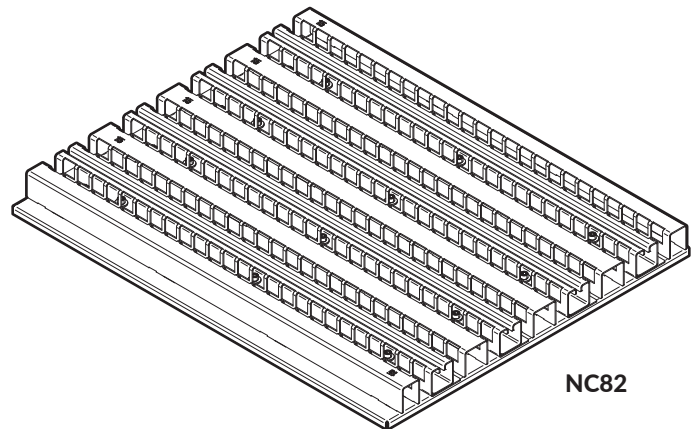
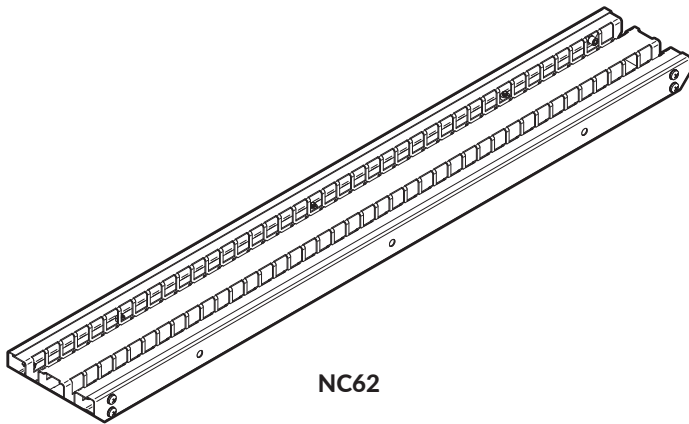
"15" Adjustable Trays

NC82-XXXX15 / NC72-XX1515 / NC62-070XX15

These trays are adjustable across their width (0.500" - 0.787") and are 1.50" deep (hence the name "15"). Adjustable trays NC82, NC72 and NC62 can be used to store punches and dies in an upright position. They are suitable for bending tools that follow these standards:

- European precision
- Bevel tang, AMADA Fixed Height
- Wila NS, Trumpf
- Wilson WT (with buttons, pins)
- Others

NC82 trays are for upright tools in R drawers, NC62 trays are for upright tools in VTZ housings, and NC72 are for upright tools in change carts.



Universal Tray

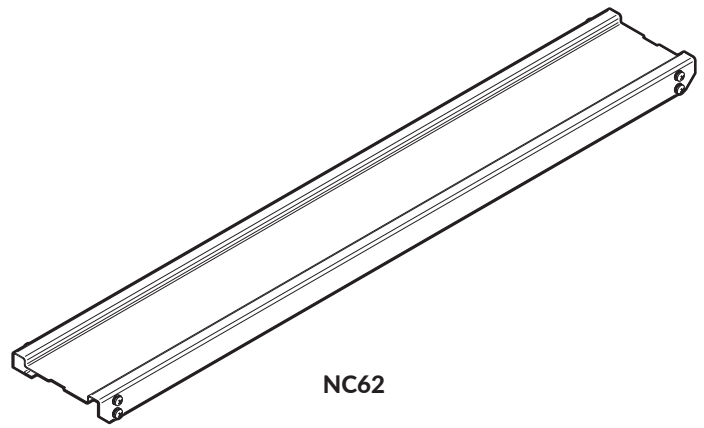
NC62-070XX00 / RF62 Drawers

These trays have 4.220"W surfaces for storing punches, dies and any other type of flat object. The RF62 drawer has been specially designed for storing bending tools flat:

- Large tools
- European tool dies
- Others

NC62-070XX00 trays are for storing tools flat in VTZ housings.

RF62-XXXXXX drawers are used in combination with R housings.



Choosing a tray

These are the dimensions to check on a punch to determine which tray to use (when the tang is longer than 1", use tray #15 by default)

Example of a Trumpf-style tool

