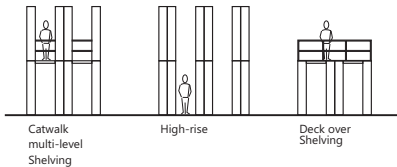
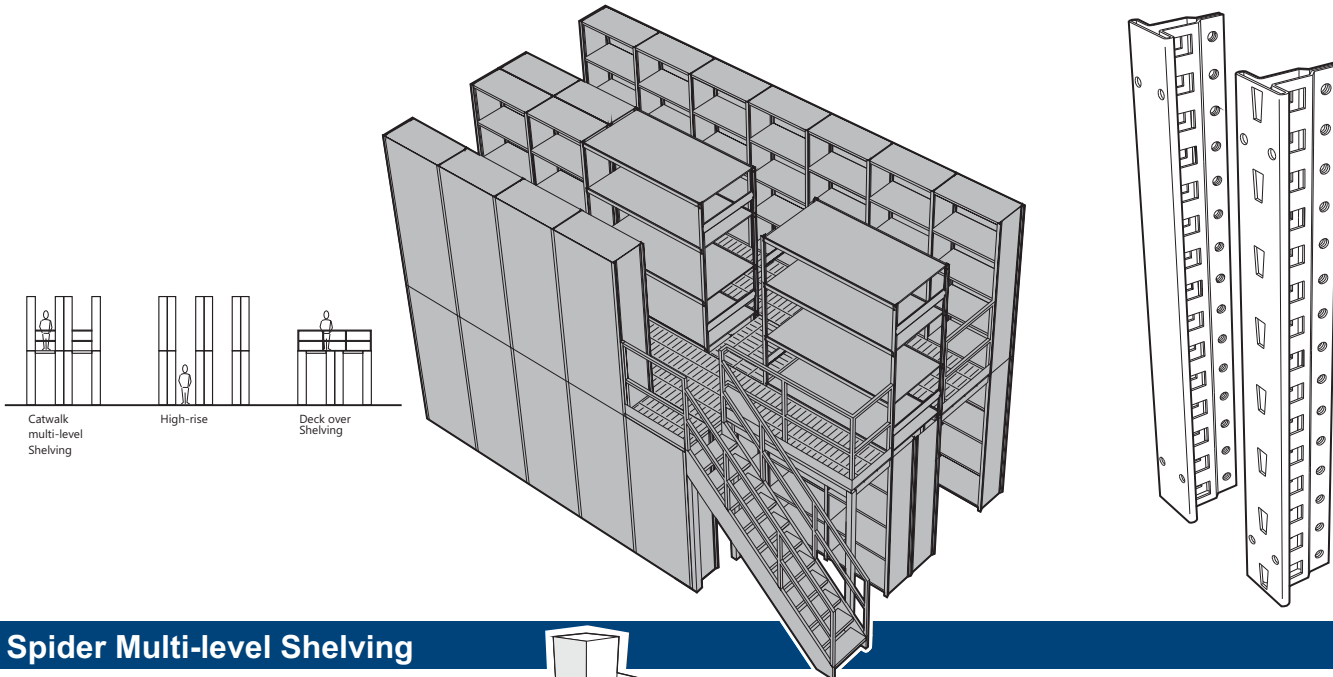


Make sure that you have the latest version before using this document.



## Spider Multi-level Shelving

### Build up a second warehouse...

Rousseau's shelving can improve your efficiency by making maximum use of available space in accordance with your inventory turnover.

This document represents all the standard components and assembly rules for Rousseau multi-level shelving.

**For more information on shelf & floor support capacities, shelving/mini-racking combination, bracing recommendations, please contact our customer service.**

### Table of contents

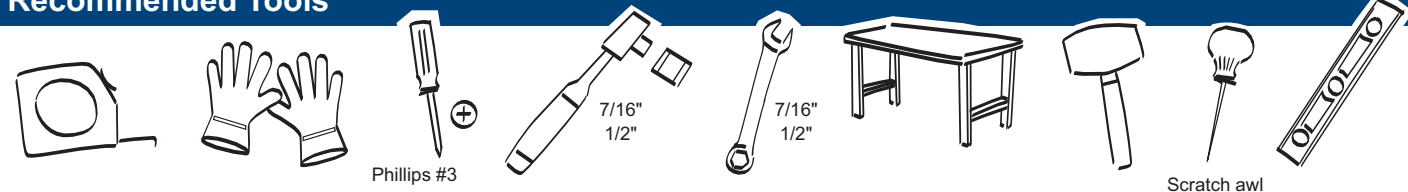
- Components p. 2
- Bracing recommendations p. 3
- Illustration of floor plans p. 3-4
- Assembly details p. 5-8

### Manufacturer recommendations:

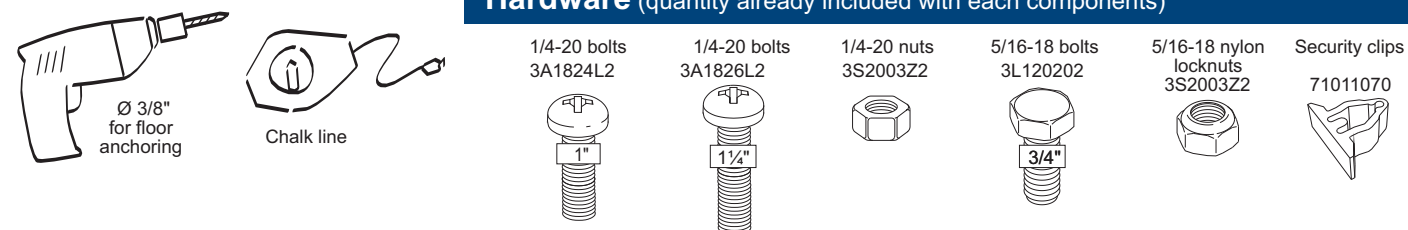
- **Welded uprights:**  
Whenever it is possible, welded uprights should be used to build multi-level installations.
- **Plumbness:**  
The shelving must be installed with a maximum tolerance from the vertical of 1/2" inch in 10 feet in height. Use floor plates and shims in order to level the shelving. Floor plates must be anchored if more than one shim is used. The total shims thickness must not exceed 3/4".

- **Anchoring for high-rise (minimum requirements) :**  
Shelving units must be anchored to the floor when ratio  $H \div D > 6$ . Shelving units with ratio  $H \div D > 8$  must be attached together at the top or to the building (make sure that the building is able to support charges caused by the shelving).

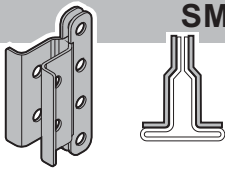
### Recommended Tools



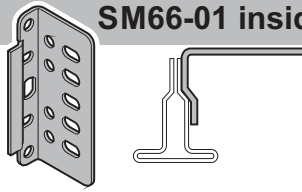
### Hardware (quantity already included with each components)



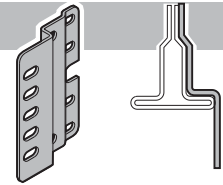
## Components



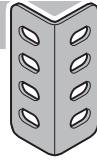
**SM45 post splice (2 pieces)**



**SM66-01 inside left / right bracket**

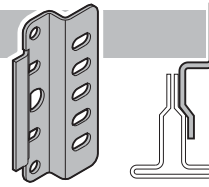


**SM68-01 front bracket**

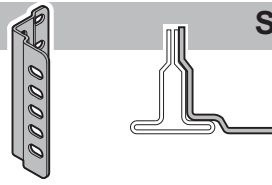


**SM65 floor support bracket**

Product No.	H
SM65-04	3 1/2"
SM65-06	4 1/4"



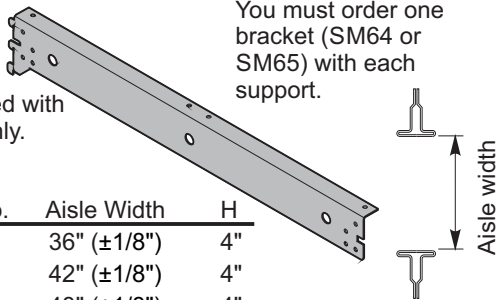
**SM67-01 inside bracket**



**SM69-01 side bracket**

### SM60 aisle floor support

Must be used with SR posts only.



You must order one bracket (SM64 or SM65) with each support.

Product No.	Aisle Width	H
SM60-36	36" ( $\pm 1/8$ " )	4"
SM60-42	42" ( $\pm 1/8$ " )	4"
SM60-48	48" ( $\pm 1/8$ " )	4"



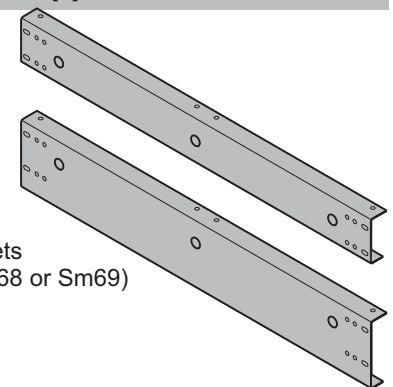
### SM64-01 end bracket for SM60

Allows an adjustment of  $\pm 1/8$ " of SM60 aisle floor supports.

Must be used with SR posts only.

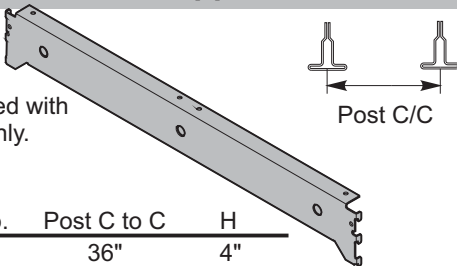
### SM71 bolted floor support

You must order two brackets (SM65, SM66, SM67, SM68 or SM69) with each support.



### SM61 pass-thru floor support

Must be used with SR posts only.



Product No.	Post C to C	H
SM61-36	36"	4"
SM61-42	42"	4"
SM61-48	48"	4"

Product No.	Length	H
SM71-1204	11 3/4"	4"
SM71-1504	14 3/4"	4"
SM71-1804	17 3/4"	4"
SM71-2404	23 3/4"	4"
SM71-3604	35 3/4"	4"
SM71-4204	41 3/4"	4"

Product No.	Length	H
SM71-4804	47 3/4"	4"
SM71-6006	59 3/4"	6"
SM71-6606	65 3/4"	6"
SM71-7006	69 3/4"	6"
SM71-7206	71 3/4"	6"

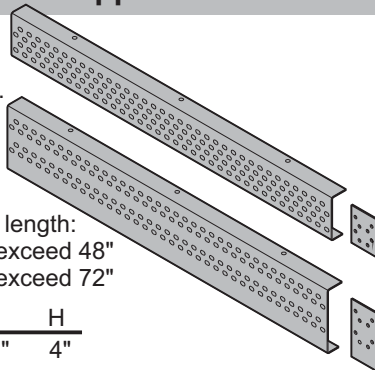
### SM70 longitudinal support

Each support includes one joint plate.

Field cut as required.

Maximum unsupported length:  
4" high support do not exceed 48"  
6" high support do not exceed 72"

Product No.	L	H
SM70-9604	96"	4"
SM70-9606	96"	6"



### Floor Support Capacities

Floor Support	Capacity (lb per sq feet)	Maximum supported surface	Example
4" high L: 48" MAX	125 lb/ft <sup>2</sup>	16 ft <sup>2</sup>	<p>aisle of 48" and 48" wide shelving</p>
6" high L: 72" MAX	125 lb/ft <sup>2</sup>	21 ft <sup>2</sup>	

## Bracing recommendation for two level and high-rise shelving

- Refer to Rousseau's customer service for bracing recommendation.

Fax your request to : 1-418-598-6776

or call us at : 1-800-463-4271



## Illustration of floor plans with different configurations

! This drawing represents different floor configurations but in reality you may need only one, two or three of them.

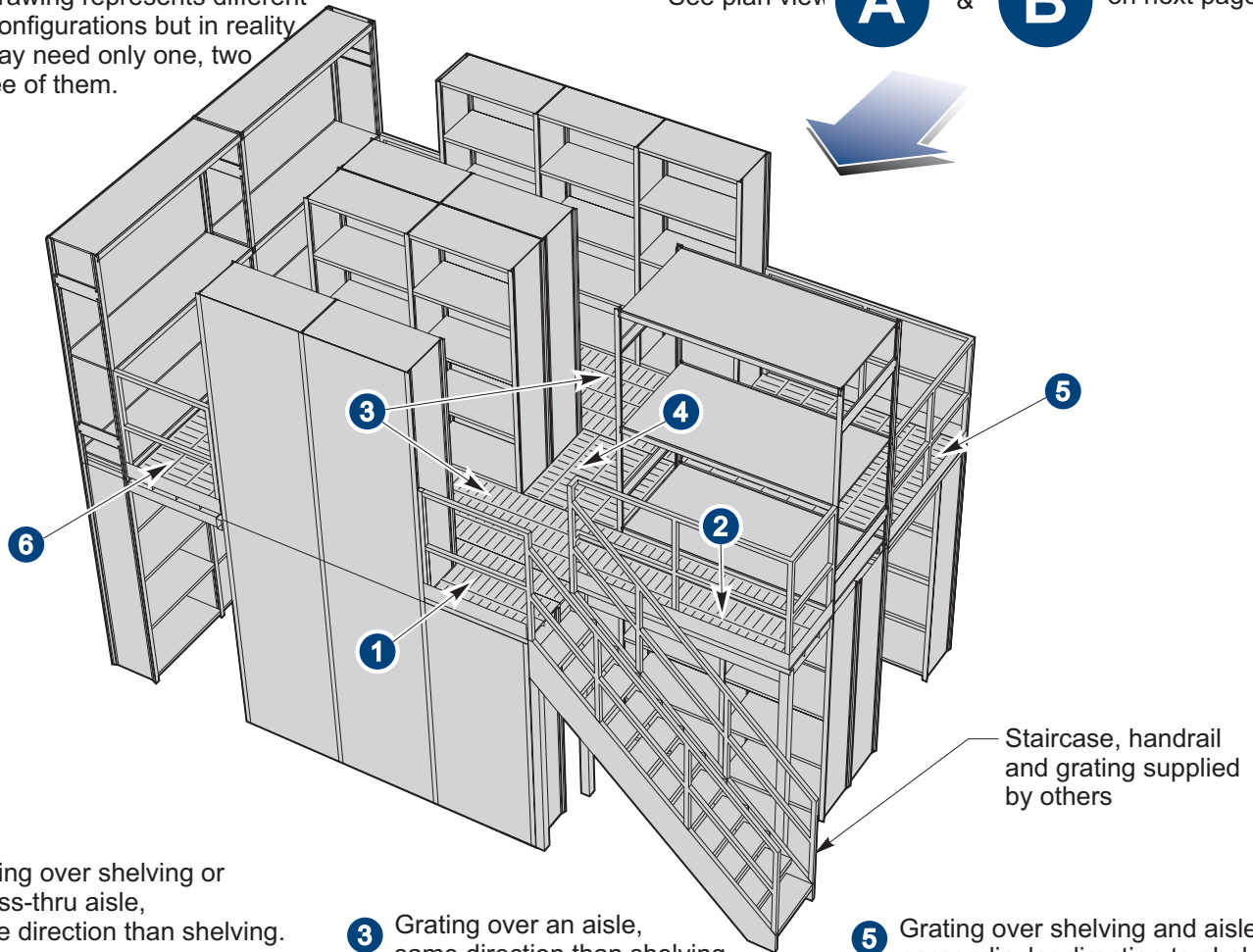
See plan view

**A**

&

**B**

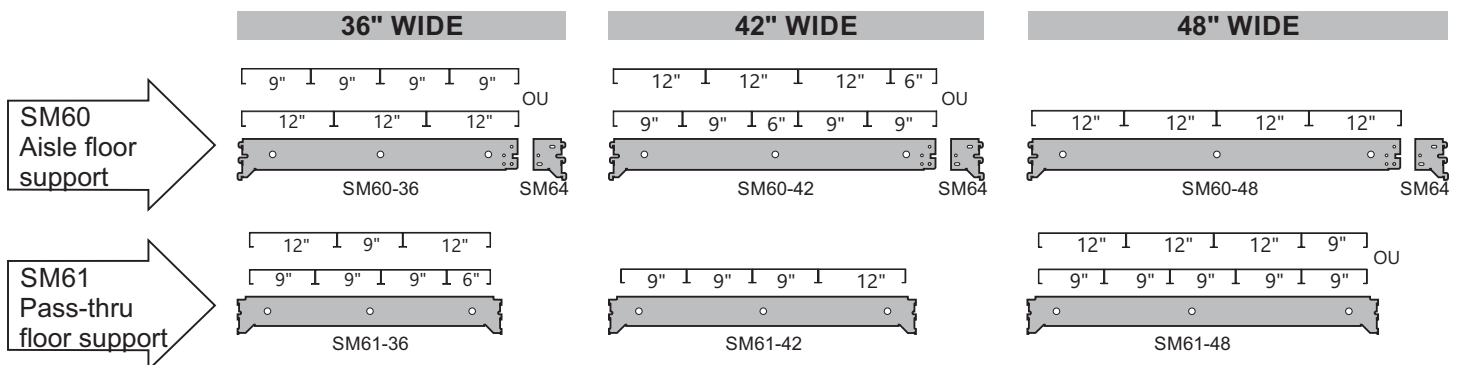
on next page...



Staircase, handrail and grating supplied by others

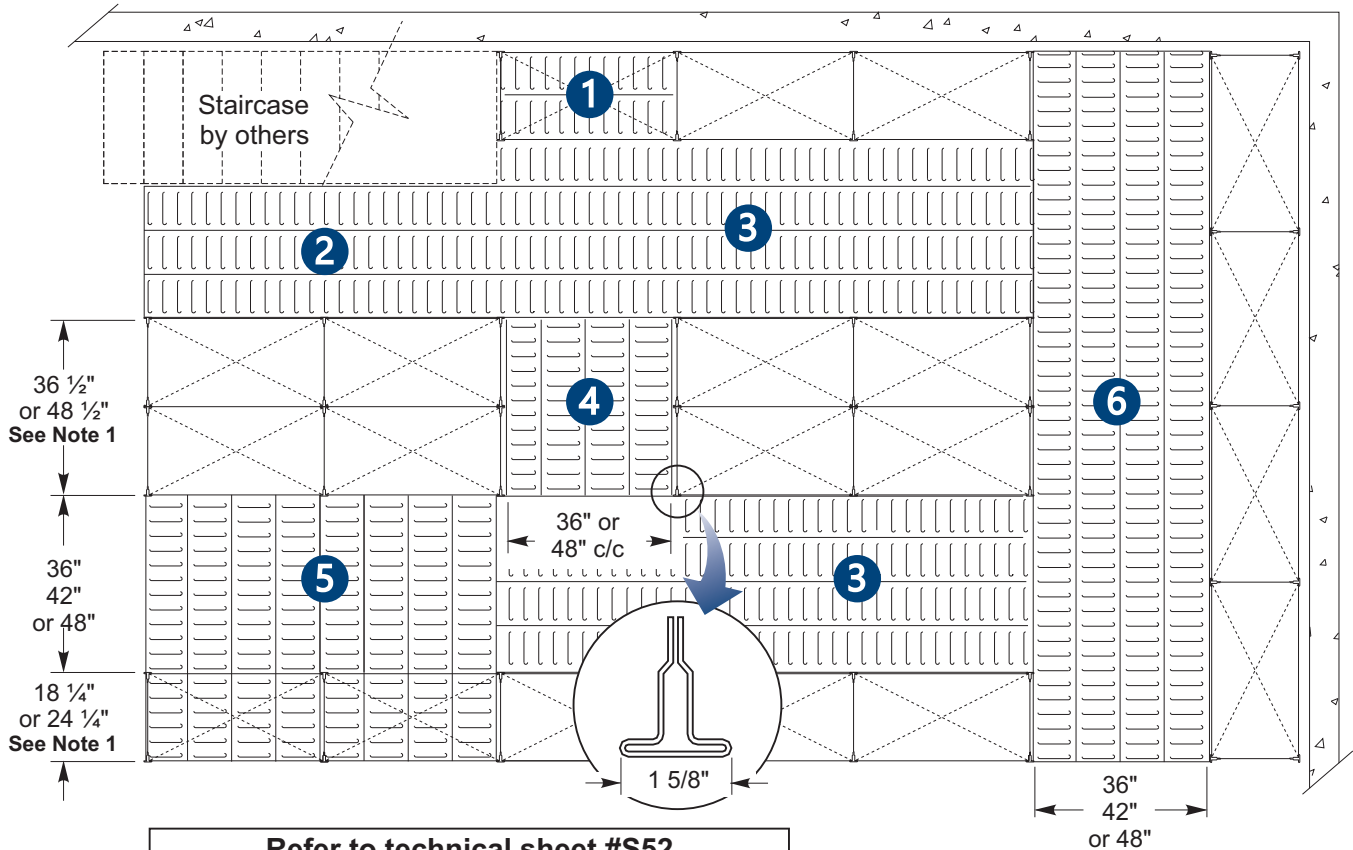
- 1** Grating over shelving or a pass-thru aisle, same direction than shelving.
- 2** Grating over aisle, same direction than shelving. Fixed on independent structure.
- 3** Grating over an aisle, same direction than shelving.
- 4** Grating over a pass-thru aisle, perpendicular direction to shelving.
- 5** Grating over shelving and aisles, perpendicular direction to shelving.
- 6** Grating over perpendicular aisle, same direction than shelving.

## Grating configuration



# A

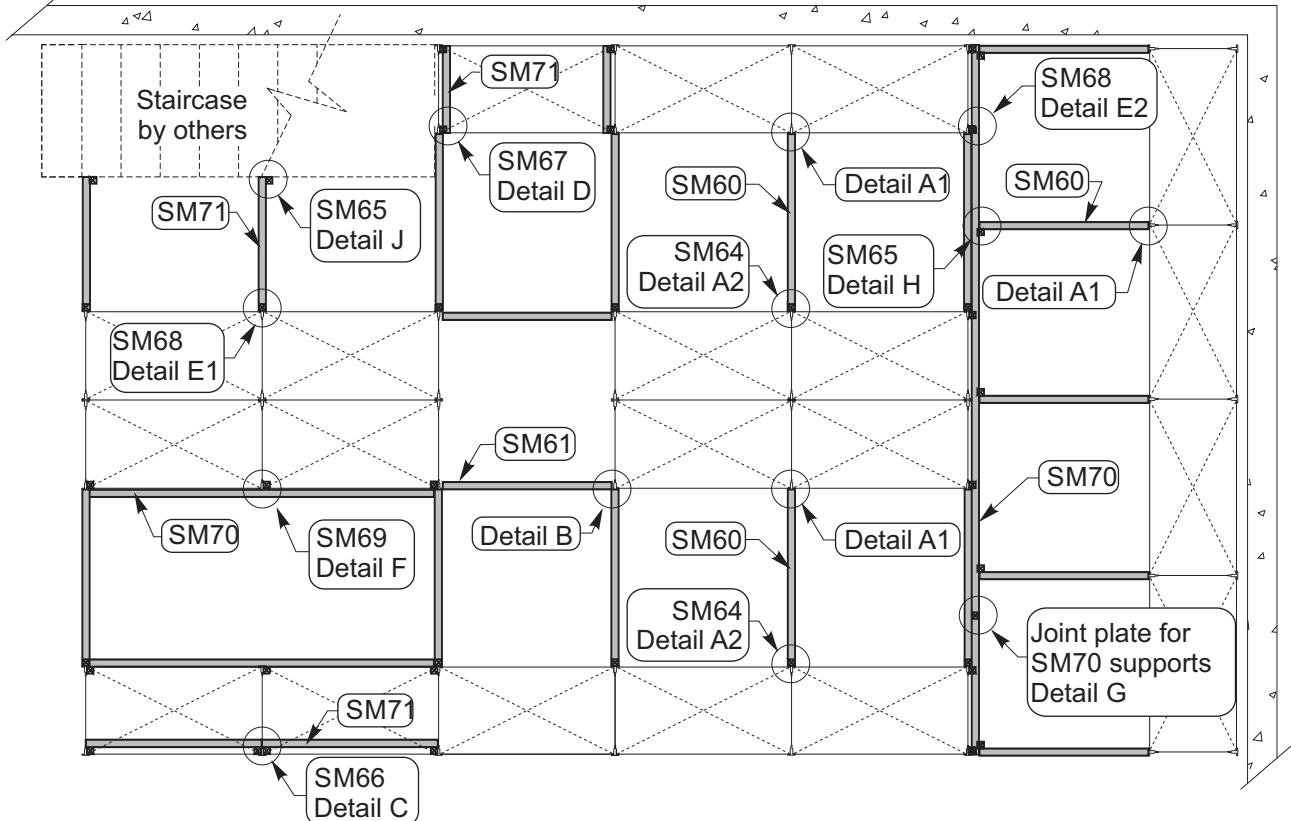
First choose the floor direction(s) according to your application(s)...



**Note 1** Refer to technical sheet #S52 for other dimensions and tolerances.

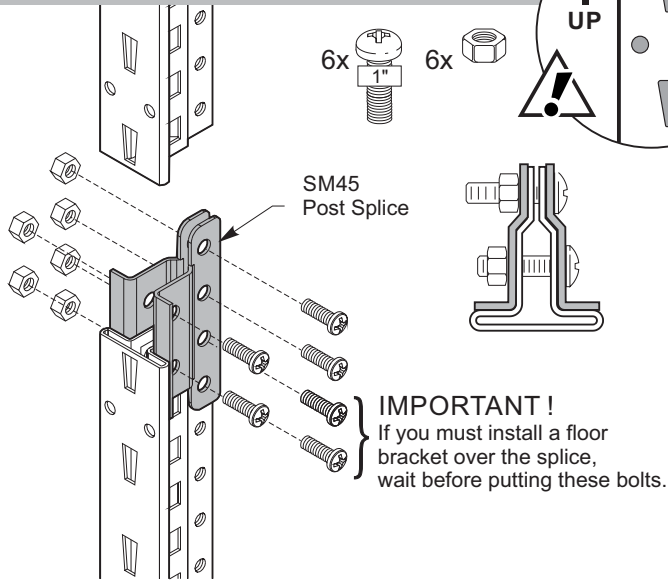
# B

... then refer to this drawing to build the floor supports.

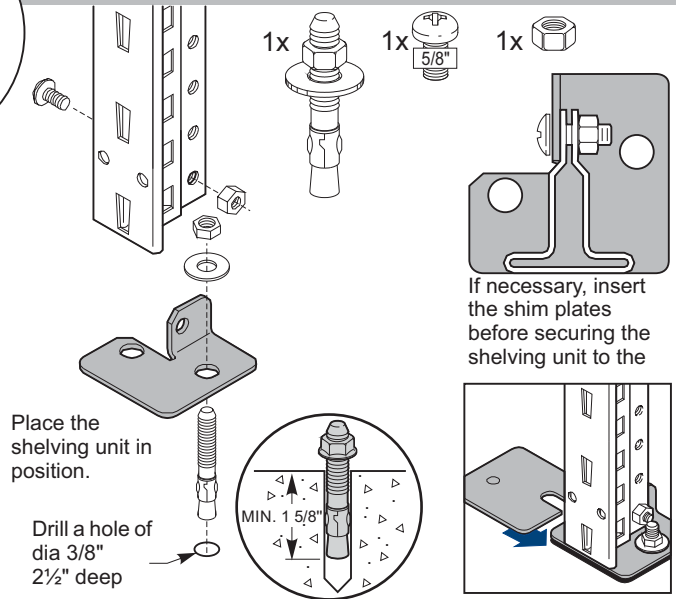


# Assembly

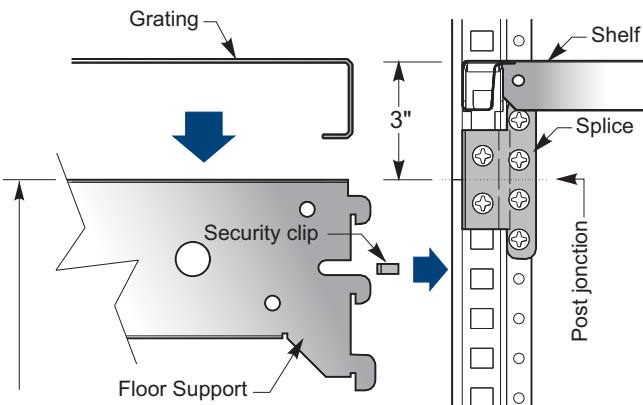
## SM45 Post Splice



## SH45 & SH46 Floor Anchoring



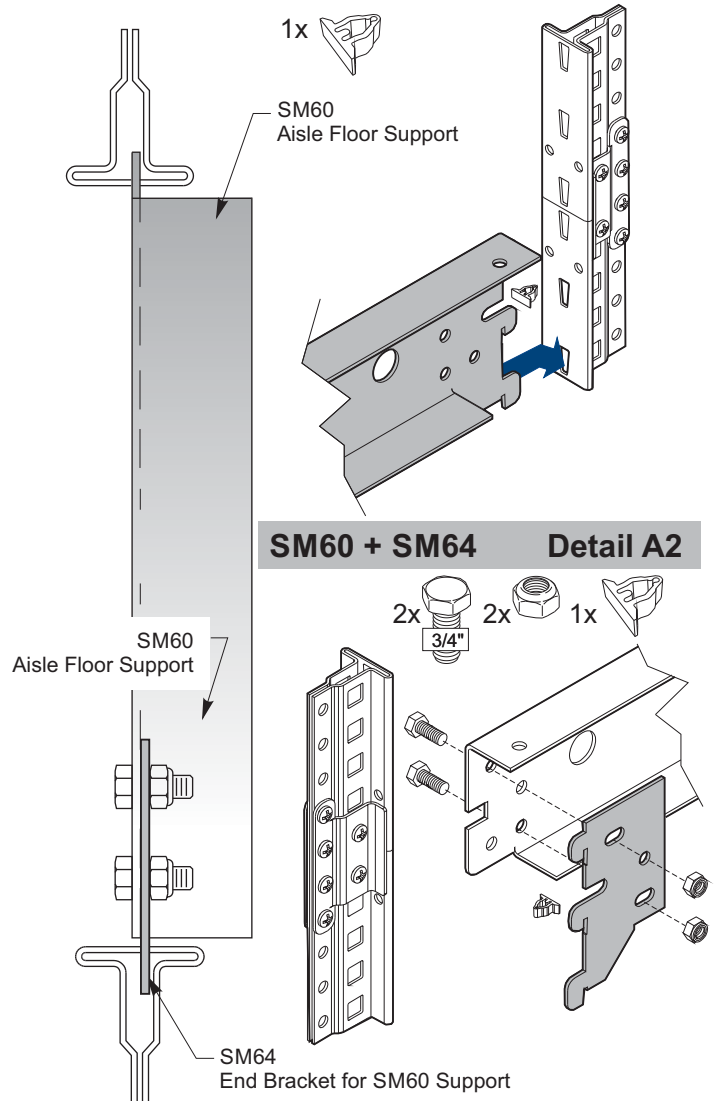
## Post junction & floor height (side view)



- If floor supports are installed **under** post splices, they will be at a **odd** height (ex.: 99 1/8" including anchor plate).
- If floor supports are installed **over** post splices, they will be at an **even** height (ex.: 106 1/8" including anchor plate).

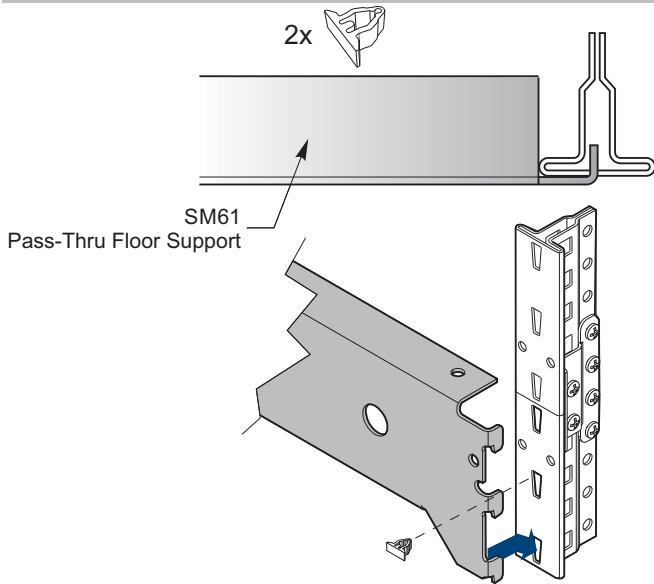
## SM60 Aisle Floor Support

### Detail A1

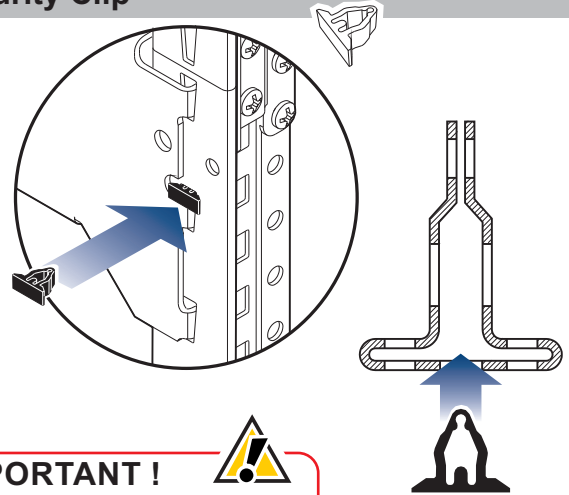


# Assembly (continued)

## SM61 Pass-Thru Floor Support Detail B



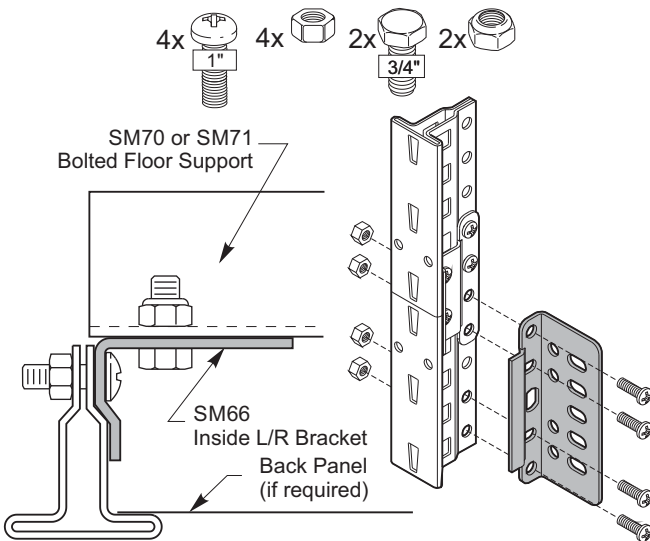
## Security Clip



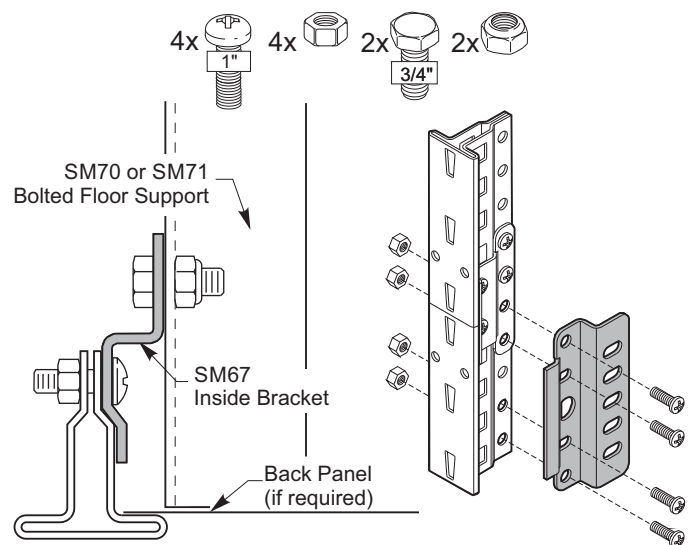
### IMPORTANT !

The security clip is mandatory at each extremity of the SM60 and SM61 floor supports.

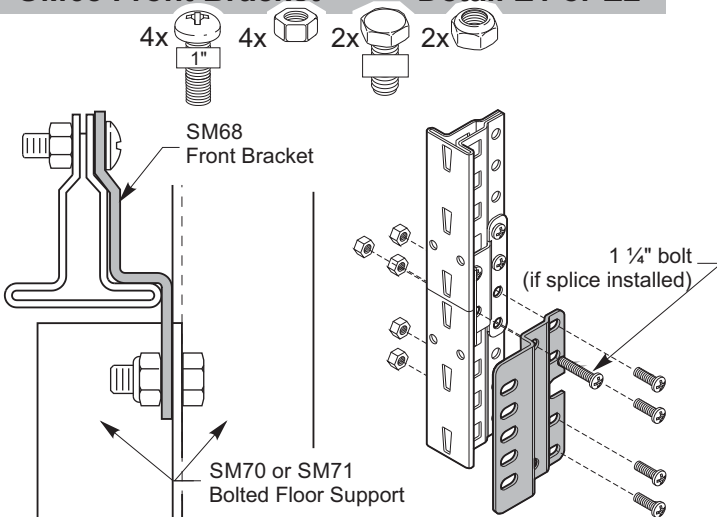
## SM66 Inside Left/Right Bracket Detail C



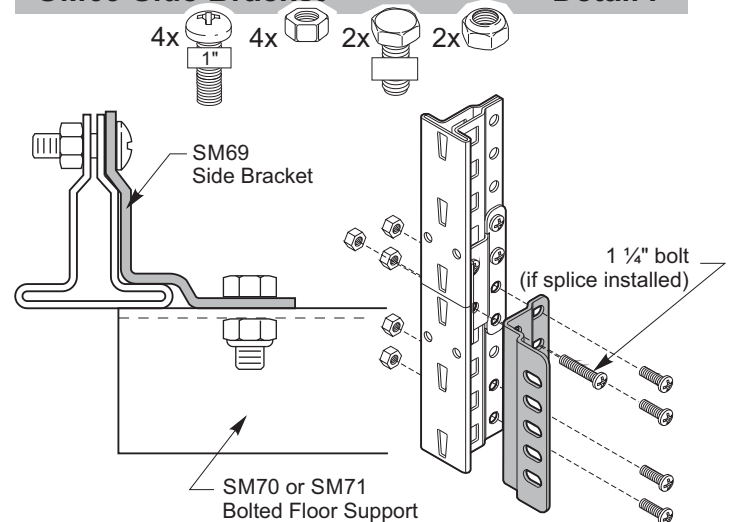
## SM67 Inside Bracket Detail D



## SM68 Front Bracket Detail E1 or E2

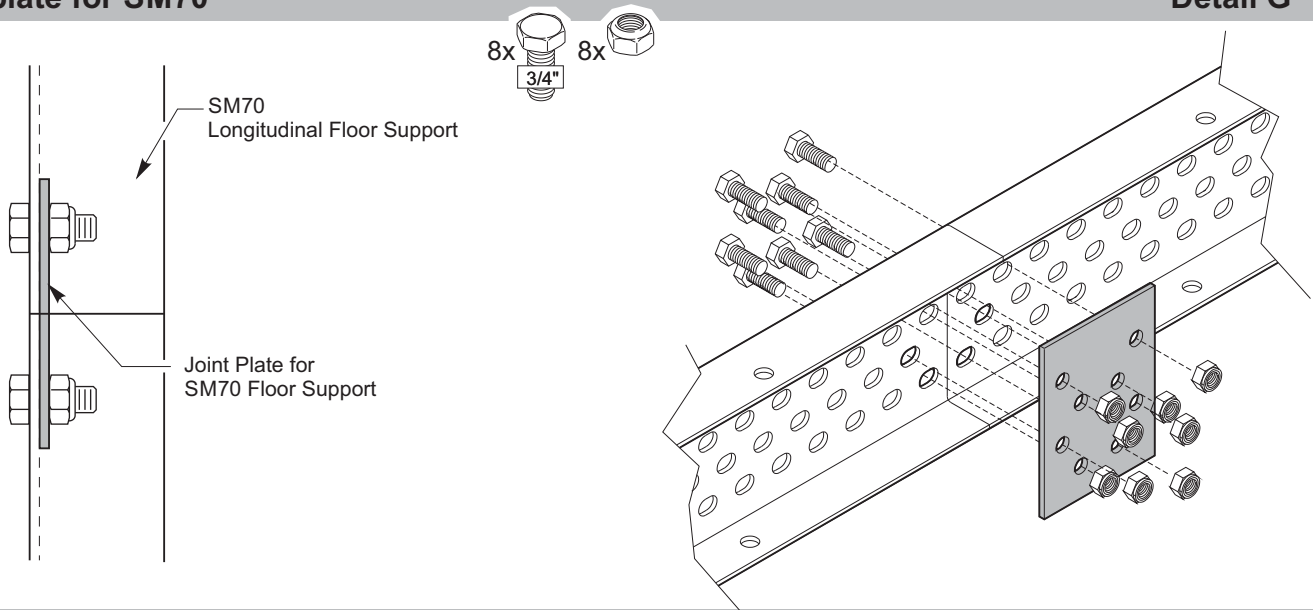


## SM69 Side Bracket Detail F



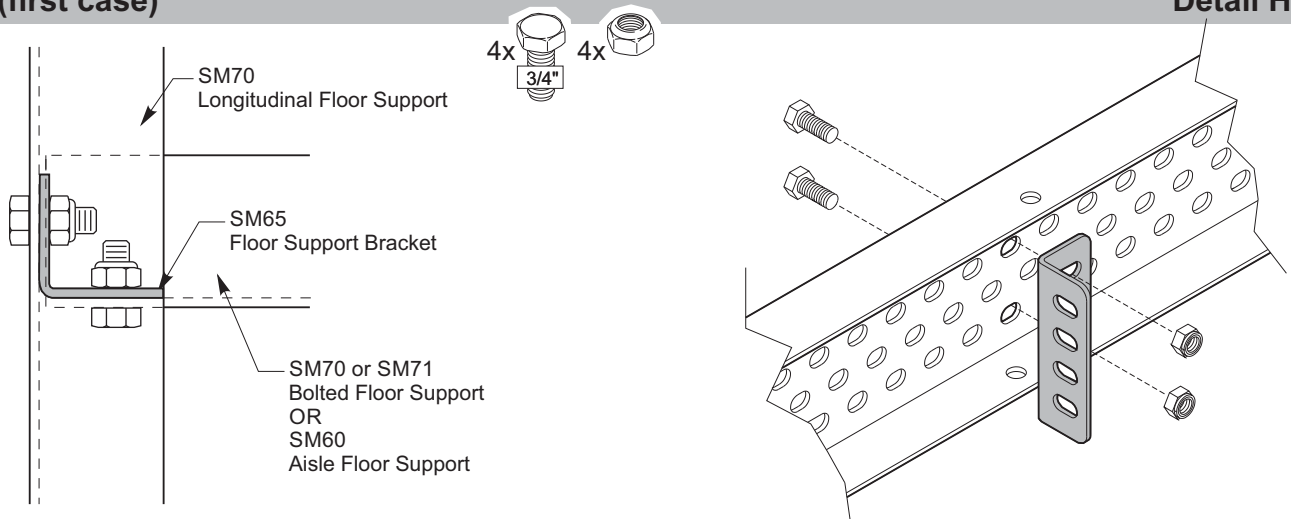
Joint plate for SM70

Detail G



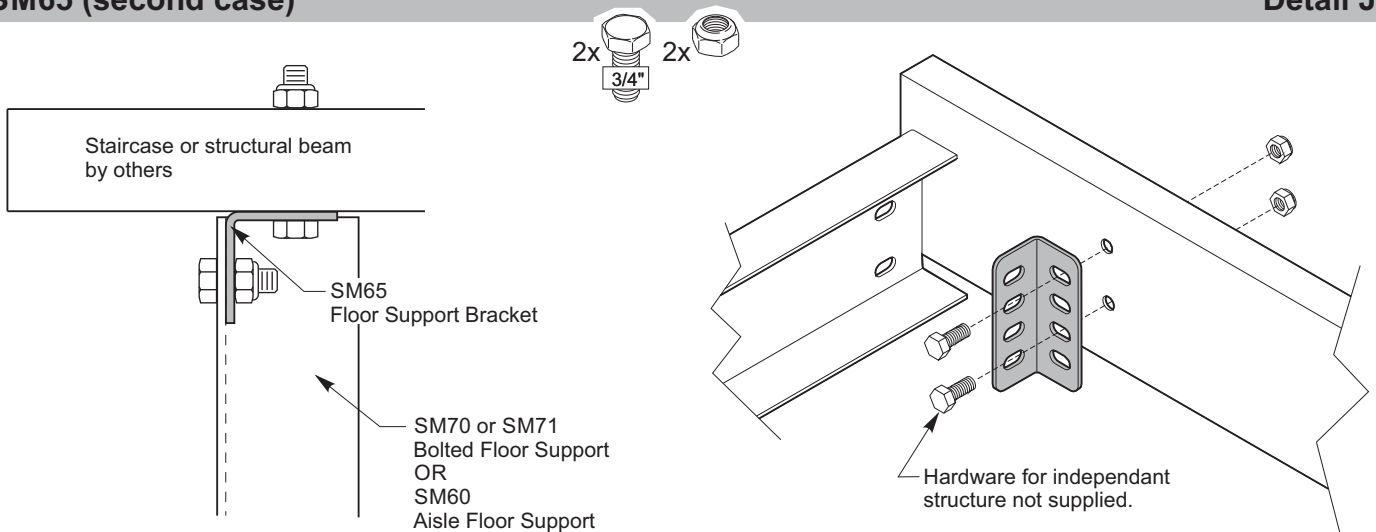
SM65 (first case)

Detail H



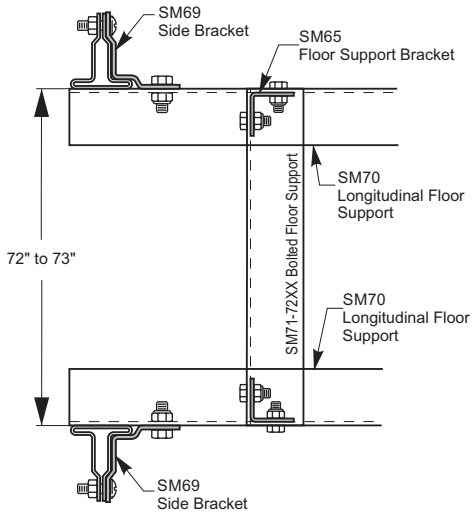
SM65 (second case)

Detail J

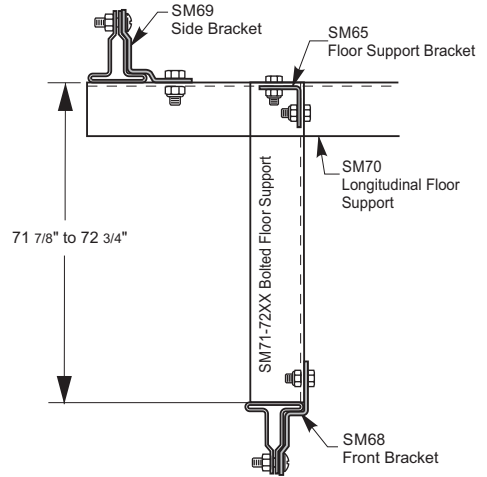


# Assembly examples

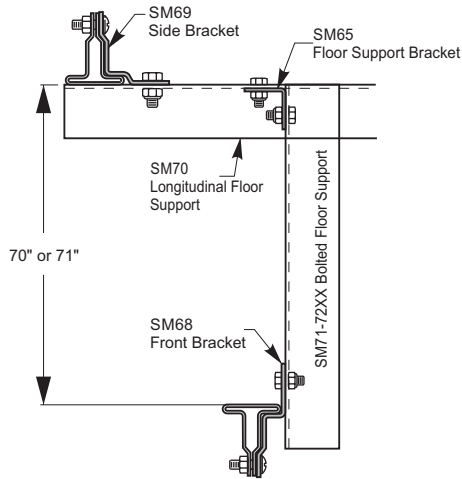
## Example 1



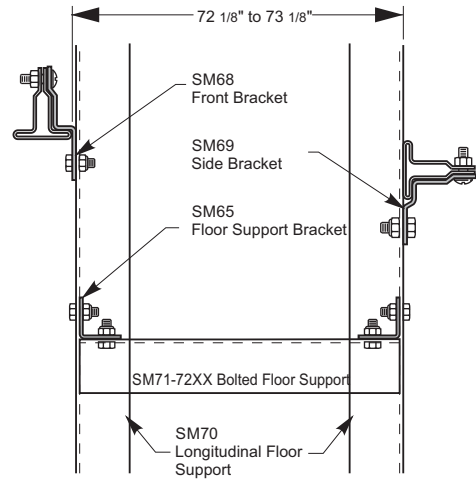
## Example 2



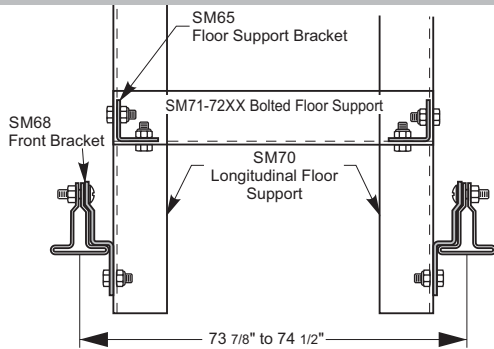
## Example 3



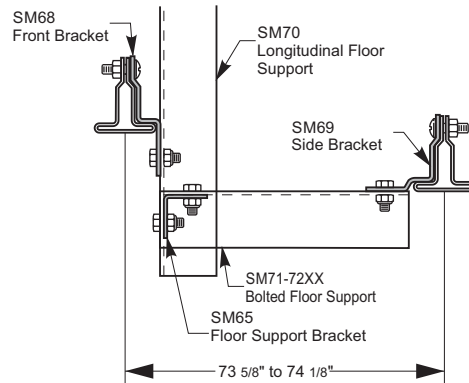
## Example 4



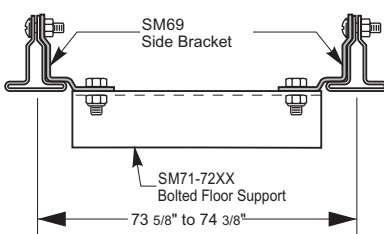
## Example 5



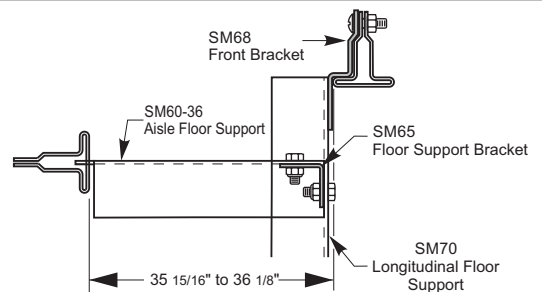
## Example 6



## Example 7



## Example 8





Exemple 9

